



## Hand held Mixers Motor Unit for Bermixer PRO Turbo 750 W

ITEM # \_\_\_\_\_

MODEL # \_\_\_\_\_

NAME # \_\_\_\_\_

SIS # \_\_\_\_\_

AIA # \_\_\_\_\_



**600313 (DBPU750)**

Motor unit, variable speed up to 10000 rpm - 750 W

### Short Form Specification

Item No. \_\_\_\_\_

750W flat base motor unit for handheld mixer. Stainless steel tubes (various lengths) and whisk available upon request, to mix, liquidize, whip or emulsify. IP55 water protected control panel.

### Main Features

- Safety feature requires both hands to start the mixer (no volt release system).
- Flat base motor unit.
- Delivered with space saving storing wall support.
- Light weight, ergonomic grip and adjustable speeds make preparation tasks fast and easy.
- Overheating warning red indicator.
- Designed to be used directly in stew pots up to 270 - 290 lt, depending on the tube size.
- Bayonet system makes fast and simple to exchange tools.
- Productivity suitable for 50 to 300 meals per service.

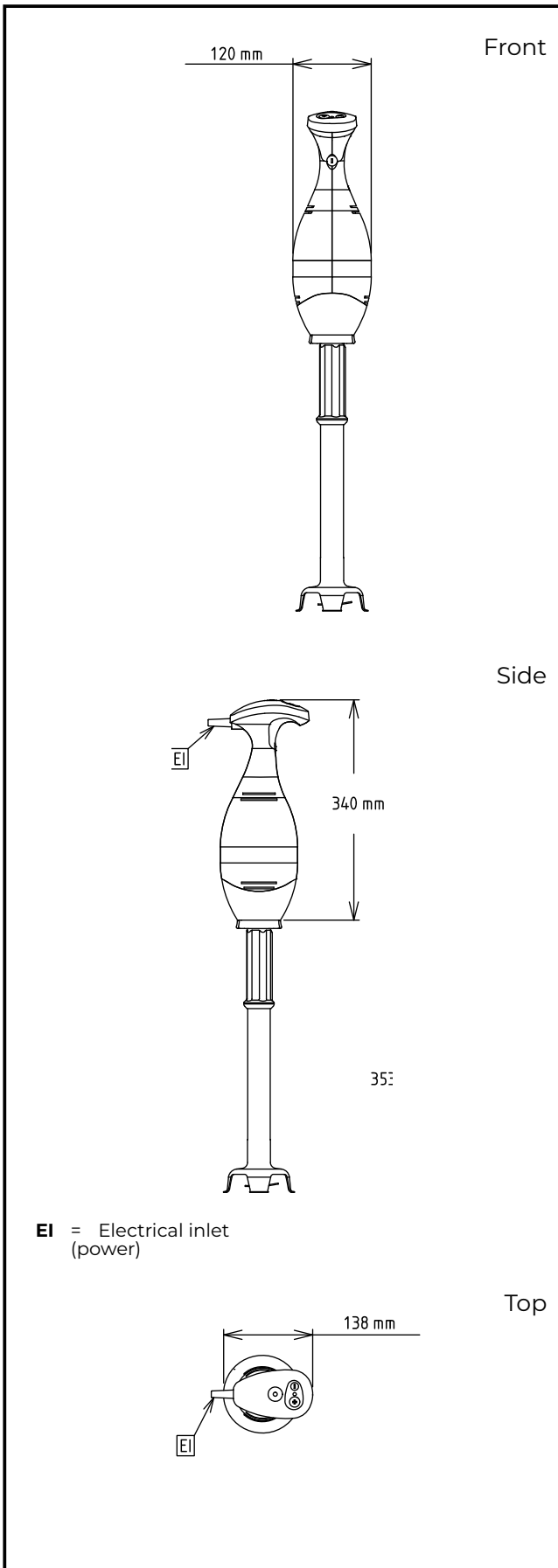
### Construction

- Power: 750 watts.
- Maximum speed 10000 rpm.
- Motor has an air cooling system and is protected against overheating (in case of long intensive work).
- Smart speed control to ensure the right power according to the work load.
- Water protected motor unit (controls are IP55, IP34 throughout machine).

### Optional Accessories

- Reinforced whisk for portable Bermixer PNC 650108
- 353 mm stainless steel tube for portable mixer bermixer PNC 650132
- 453 mm stainless steel tube for portable mixer bermixer PNC 650133
- 553 mm stainless steel tube for Bermixer (for 450W, 550W, 650W, 750W) PNC 650134
- 653 mm stainless steel tube for Bermixer (for 650W, 750W) PNC 650135
- Adjustable rail for containers diam. 375 mm to 650 mm (to be used with 653294) PNC 653292
- Holder to support portable mixer in containers (can be used only with tube attachment) PNC 653294

APPROVAL: \_\_\_\_\_



## Electric

### Supply voltage:

**600313 (DBPU750)**

220-240 V/1 ph/50/60 Hz

### Electrical power max.:

0.75 kW

### Total Watts:

0.75 kW

## Key Information:

### External dimensions,

#### Width:

138 mm

### External dimensions,

#### Depth:

120 mm

### External dimensions,

#### Height:

340 mm

### Shipping weight:

3.66 kg